

3.25" x 7.5" VINYL OVAL STICKER

3.375" x 7.625" is the graphic size
3.25x7.5" is the finished size

This is the setup for a 3.25" x 7.5" Vinyl Sticker. The size of this document with bleed is 3.375 x 7.625". The extra 1/8 of an inch on the length and the width is added so your art can "run" off the end of the document. This is called a **bleed**.

Bleed Line

Your background colors or designs should go to the edge of the document, this is called a bleed line.

Cut Line

1/16 of an inch will be cut off of each side indicated by the cut line.

Safety Line

All text, logos, or other important aspects of your document that you DON'T want cut off should be inside the safety line indicated by the green line, 1/8 of an inch from the edge of your document on all 4 sides.

COLOR PROFILE / RESOLUTION / FONTS

All artwork should be in RGB for most vivid colors, but CMYK is acceptable. For all Illustrator files, all text needs to be outlined. All Photoshop files must be 100 dpi at production size then flattened and converted to a jpeg at the highest quality. 100 dpi will produce photo-realistic results. If you are concerned about resolution for close viewing distances, use 150 dpi

Files using gradients or transparencies should be flattened into a #12 jpeg or .Tiff file. Gradients and/or transparencies can sometimes have difficulties when printed on a wide-format printer

COLORS

FOR BLUES: Make sure Cyan and Magenta are 30% apart or Blues might turn into purples during printing. i.e. Cyan=100 Magenta=70

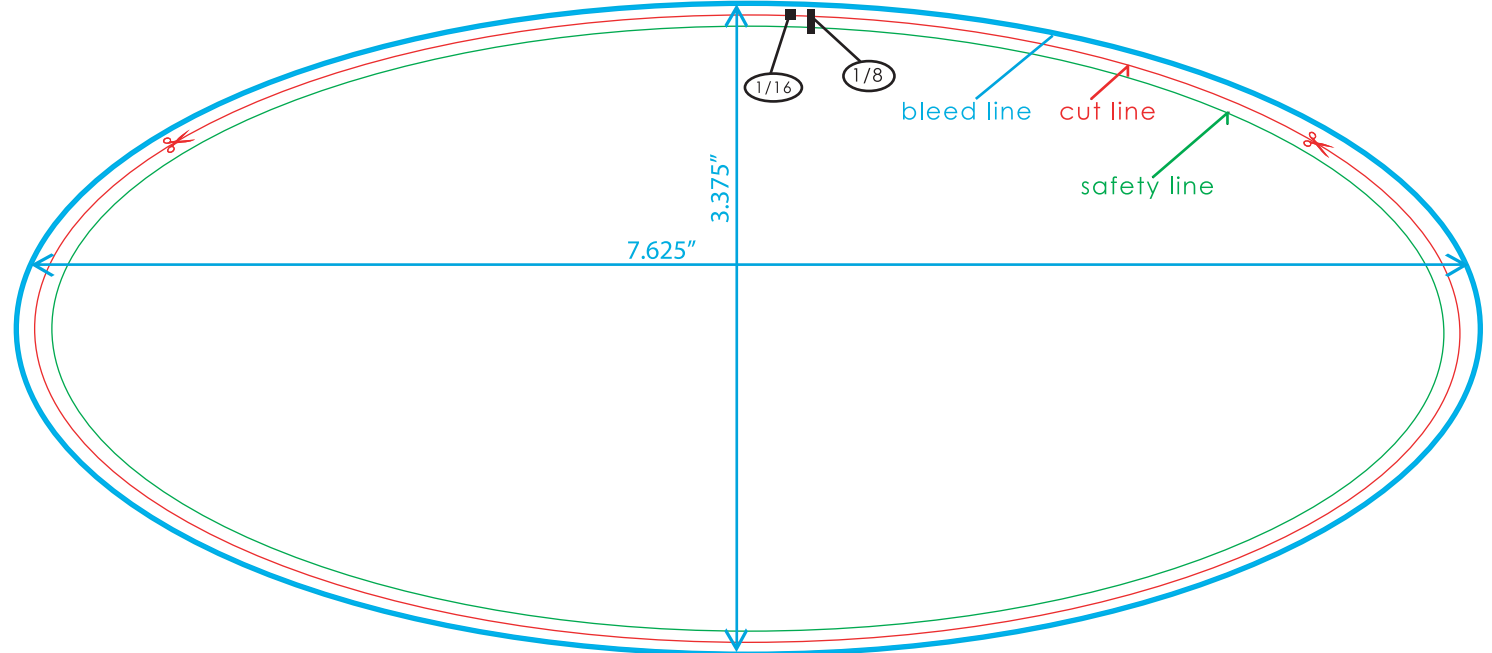
FOR GRAYS: Use only a percentage of K Black(K) and make sure C=0 M=0 Y=0

FOR THE RICHEST BLACK: MUST BE THIS FORMULA

Cyan=60 Magenta=40 Yellow=40 K=100

FOR THE BEST REDS: THIS MUST BE THE FORMULA

Cyan=2 Magenta=100 Yellow=100 K=0



Any questions, contact us:

